

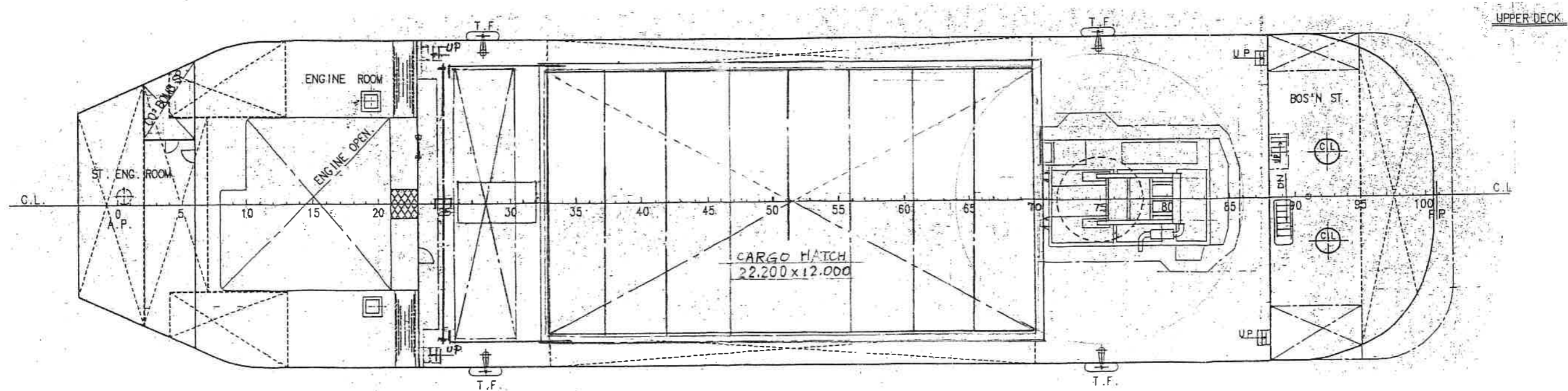
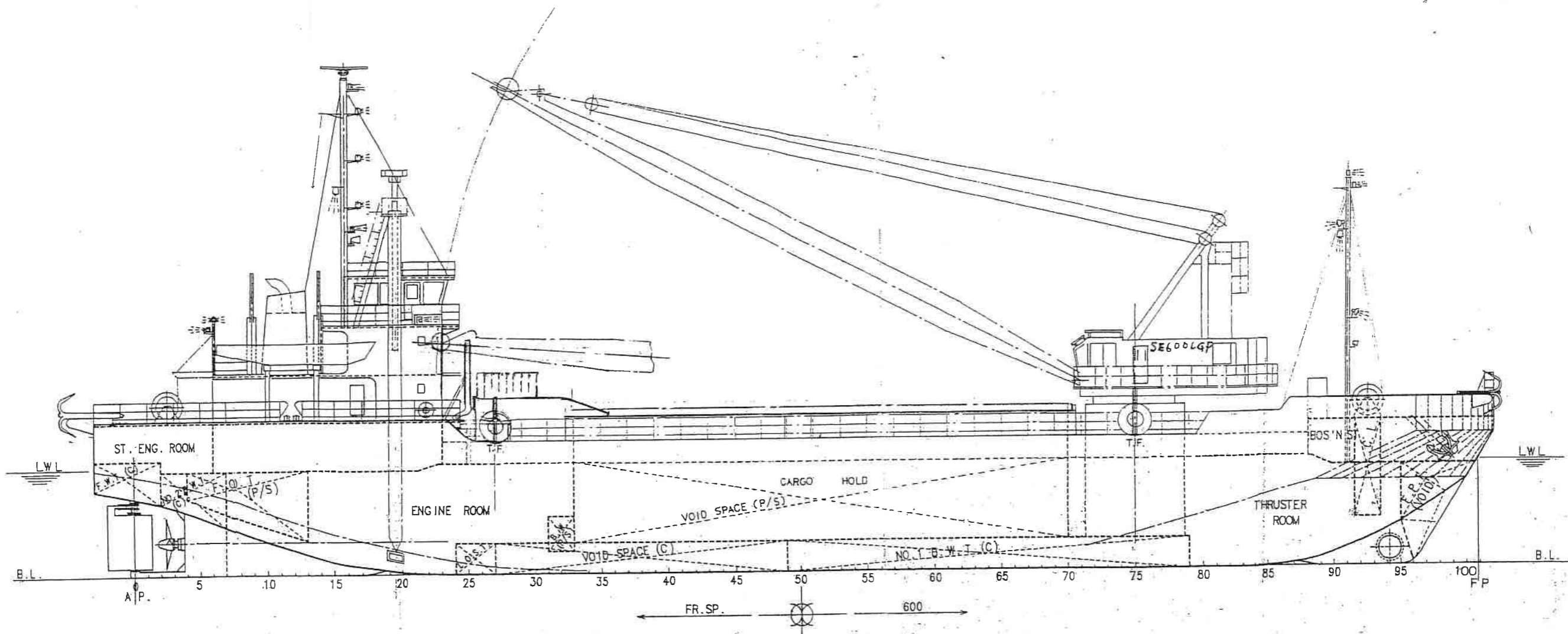
PRINCIPAL PARTICULARS.

LENGTH	( O.A. )	63 <sup>M</sup> 01
LENGTH	( P.P. )	60 <sup>M</sup> 50
BREADTH	( MLD. )	15 <sup>M</sup> 00
DEPTH	( MLD. )	6 <sup>M</sup> 00
DRAFT	( MLD. )	4 <sup>M</sup> 84
GROSS TONNAGE		T
CARGO HOLD		— M <sup>3</sup>
DEAD WEIGHT		— T
MAIN ENGINE		2000PS
SPEED	( TRIAL MAX ) 4/4MCR	10.5KT
SPEED	( SERVICE ) 85/100MCR	9.0KT
COMPLEMENT		5P
CLASSIFICATION		JG
NAVIGATION AREA	限定沿海 ( 2時間未満 )	

栄威国

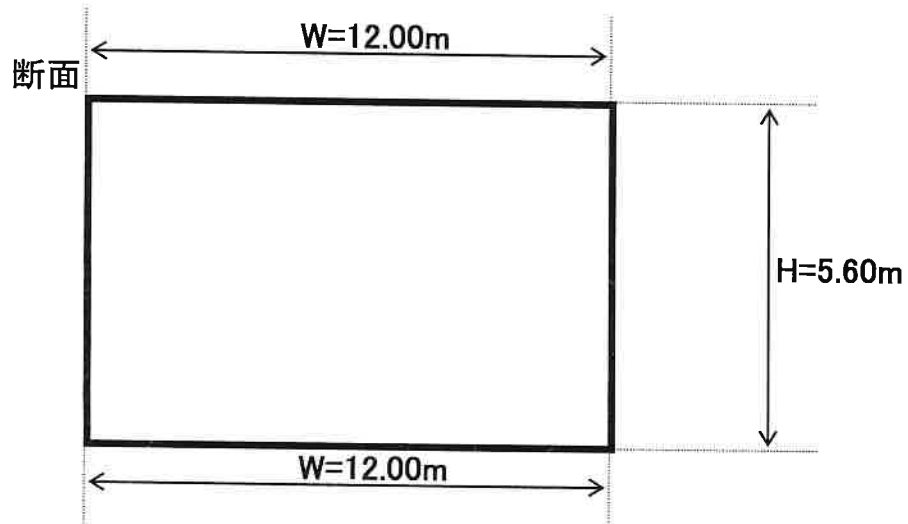
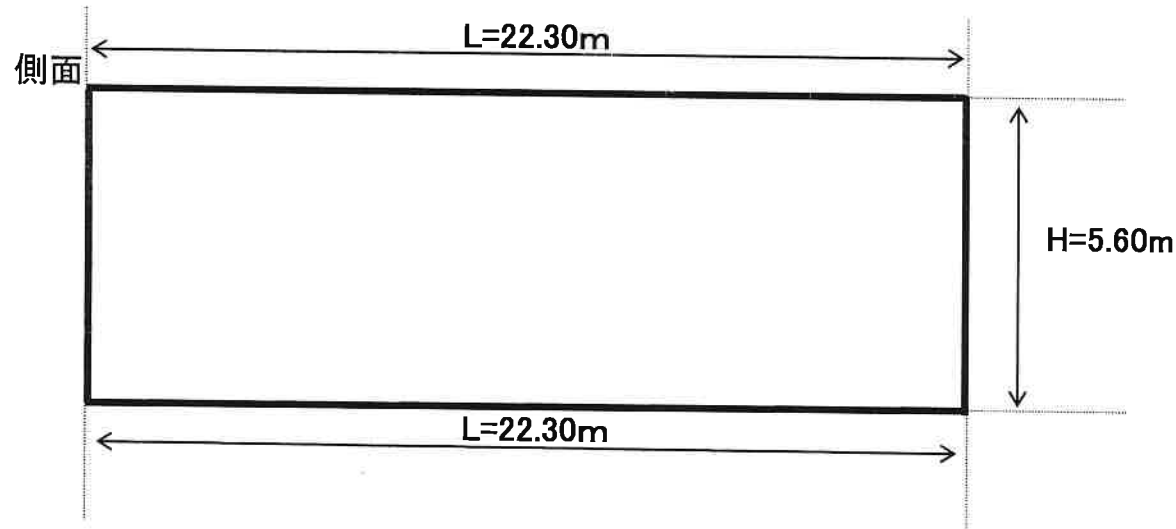
APP.	SCALE 1/200
CH.	CLASS
DR. <i>[Signature]</i>	W. NO.
DATE 2007-7	DWG. NO. 100

一般配置図



# 容積図

平成16年3月30日



容積  $=L \times W \times H$   
 $22.30 \times 12.00 \times 5.60 = 1,498.56$   
 $= 1,499\text{m}^3$

